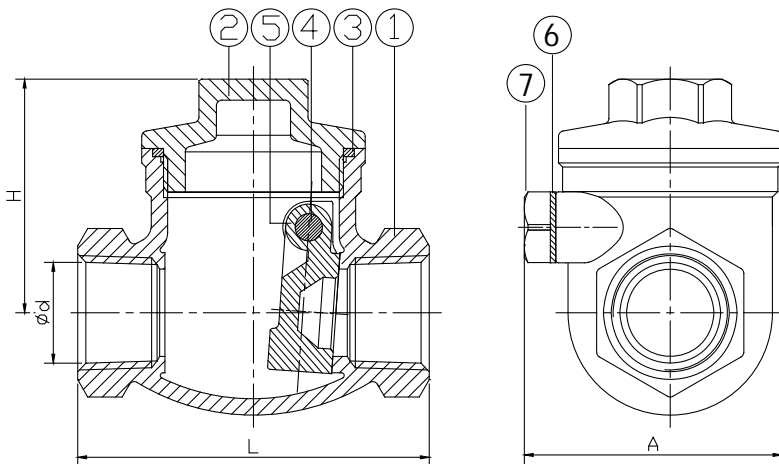


# SCREWED END SWING CHECK VALVE



## FEATURES

- 1/2"~2" (DN15~DN50)
- W.P : 200 WOG
- W.T. : -20°C~150°C
- Investment casting
- Thread type : DIN2999 & BS21 (BSP)  
ISO7/1 & EN10226



ITEM	PARTS	MATERIAL
1	BODY	ASTM A351-CF8M
2	CAP	
3	SEAL	PTFE
4	PIN	AISI 316
5	DISC	ASTM A351-CF8M
6	GASKET	PTFE
7	BOLT	AISI 316

DN	d	L	H	A	Weight (kg)
15	16	63	43	42.5	0.3
20	20	79	51	51.5	0.4
25	25	85	54	54	0.7
32	32	105	63	64	1
40	40	112	66	70	1.6
50	50	132	75	80	2.1

unit:mm

## D&D Valve & Engineering Supplies (Pty) Ltd

(+2711) 493-1842/3 (8 lines)

[sales@ddvalve.co.za](mailto:sales@ddvalve.co.za)

[www.ddvalve.co.za](http://www.ddvalve.co.za)

[info@ddvalve.co.za](mailto:info@ddvalve.co.za)