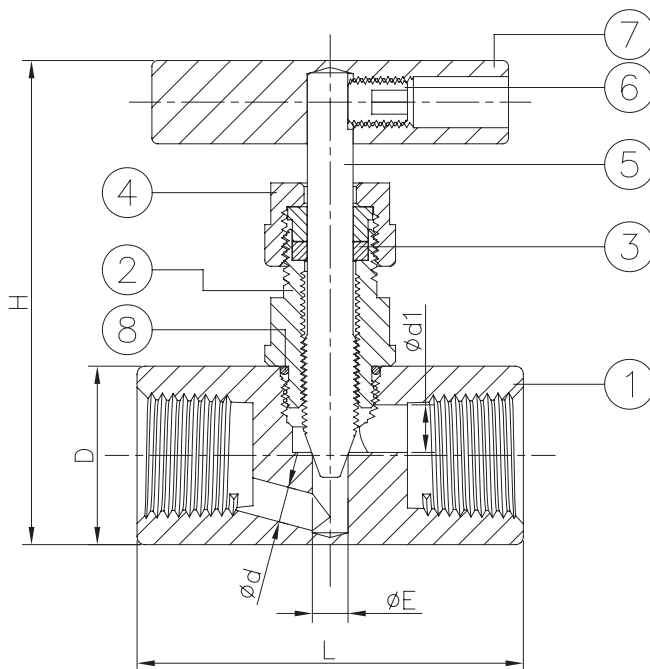


NEEDLE VALVE



FEATURES

- 1/4"~1" (DN8~DN25)
- W.P. : 6000 PSI
- W.T. : -20°C~150°C
- Thread type : DIN2999 & BS21 (BSP)
ISO7/1 & EN10226



ITEM	PARTS	MATERIAL
1	BODY	ASTM A351-CF8M
2	BONNET	AISI 304
3	PACKING	TEFLON
4	NUT	AISI 304
5	STEM	AISI 316
6	SCREW	AISI 304
7	HANDLE	
8	O-RING	VITON

unit:mm

DN	H	L	D	d	E	d1	Weight (Kg)	CV
8	90	52	25	5	6	5	0.3	0.8
10	90	52	25	5	6	6.3	0.4	0.9
15	90	63.5	30	6	6	8	0.5	1.2
20	100	70	34	8	8	10	0.8	1.3
25	110	80	45	8	8	12	1.3	1.8

D&D Valve & Engineering Supplies (Pty) Ltd

(+2711) 493-1842/3 (8 lines)

sales@ddvalve.co.za

www.ddvalve.co.za

info@ddvalve.co.za