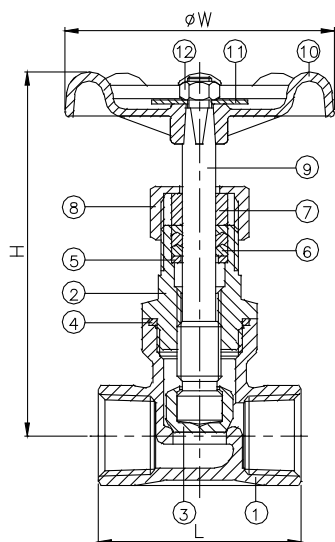


# SCREWED END GLOBE VALVE

## FEATURES



- 1/2"~2" (DN15~DN50)
- W.P. : 200 WOG
- W.T. : -20°C~150°C
- Investment casting
- Rising stem
- Thread type : DIN2999 & BS21 (BSP)  
ISO7/1 & EN10226



ITEM	PARTS	MATERIAL
1	BODY	ASTM A351-CF8M
2	BONNET	
3	DISC	
4	SEAL	PTFE
5	WASHER	AISI 304
6	PACKING	PTFE
7	GLAND RING	AISI 304
8	CAP NUT	ASTM A351-CF8M
9	STEM	AISI 316
10	HANDLE	ALUMINUM
11	NAMEPLATE	
12	NUT	AISI 316

DN	L	H		W	Weight (kg)
		OPEN	CLOSE		
15	60	94	85	63	0.3
20	70	103	92	63	0.5
25	80	111	97	70	0.7
32	90	125	108	70	1
40	105	150	133	98	1.3
50	120	165	148	98	2.2

unit:mm

# D&D Valve & Engineering Supplies (Pty) Ltd

(+2711) 493-1842/3 (8 lines)

[sales@ddvalve.co.za](mailto:sales@ddvalve.co.za)

[www.ddvalve.co.za](http://www.ddvalve.co.za)

[info@ddvalve.co.za](mailto:info@ddvalve.co.za)