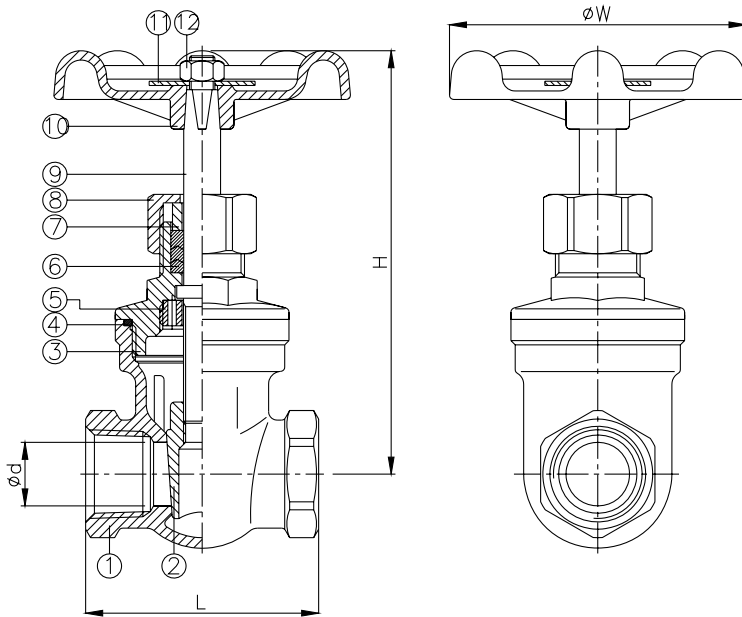


SCREWED END GATE VALVE



FEATURES

- 1/2" ~ 2" (DN15 ~ DN50)
- W.P. : 200 WOG
- W.T. : -20°C ~ 150°C
- Investment casting
- Non-rising stem
- Thread type : DIN2999 & BS21 (BSP)
ISO7/1 & EN10226



ITEM	PARTS	MATERIAL
1	BODY	ASTM A351-CF8M
2	DISC	
3	BONNET	
4	SEAL	PTFE
5	GASKET	AISI 304
6	PACKING	PTFE
7	GLAND RING	AISI 304
8	CAP NUT	ASTM A351-CF8M
9	STEM	AISI 316
10	HANDLE	ALUMINUM
11	NAMEPLATE	
12	NUT	AISI 304

DN	d	L	H	W	Weight (kg)
15	15	51.5	90	63	0.4
20	20	56	98	63	0.5
25	25	61.5	110	72	0.7
32	32	69.5	123	77	1
40	38	73.5	143	99	1.4
50	50	82	152	99	2.1

unit:mm

E&OE

D&D Valve & Engineering Supplies (Pty) Ltd

(+2711) 493-1842/3 (8 lines)

sales@ddvalve.co.za
info@ddvalve.co.za

www.ddvalve.co.za