

D&D Valve & Engineering Supplies (Pty) Ltd

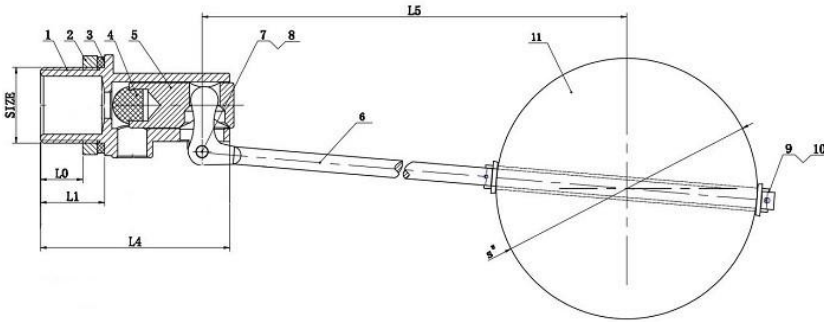
(+2711) 493-1842/3 (8 Lines)

sales@ddvalve.co.za

www.ddvalve.co.za

info@ddvalve.co.za

SS BALL-FLOAT VALVE



DESCRIPTION

1. Design & manufacture to BS1212: Part I, II & III
ASTM B16.34
2. Inspection & testing according to QB/T1199-1991
3. BSPT male thread
4. Pressure rating: 10 bar
5. Maximum temperature: 180°C

MATERIALS LIST

NO.	PART	MATERIAL
1	Body	SS316
2	Lock Nut	SS316
3	Seal	NBR
4	Seal	Silicon
5	Spool	SS316
6	Stem	SS316
7	Nut	SS316
8	Screw	SS316
9	Bolt	SS316
10	Gasket	SS316
11	Ball	SS316L

DIMENSIONS

DN	L0	L1	L4	L5	S"
15	20	27	65	184	100
20	23	30	71	184	100
25	24	37	84	251	135
40	28	53	116	255	200
50	34	64	131	257	250