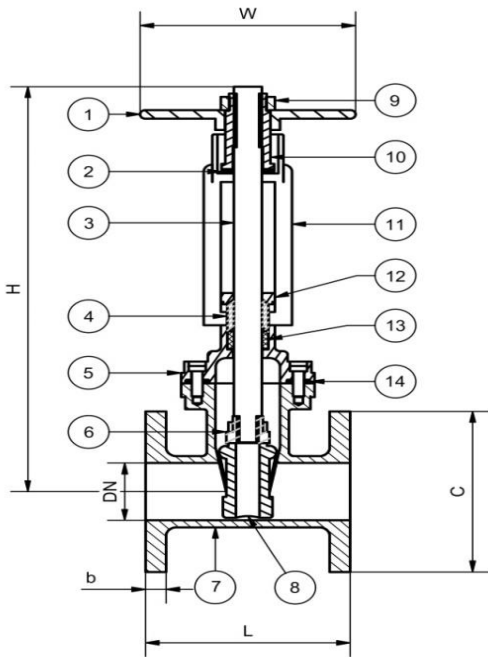


SABS665 R/SP. RSV GATE VALVE



MATERIALS LIST

No.	Description	Material	Standard
1	Hand Wheel	Ductile Iron	BS2789 420/12
2	Bush Nut	Brass	BS2874 CA104
3	Spindle	Stainless Steel	2Cr13
4	Gland Packing	Graphite	
5	Bolt	Carbon Steel	BS1769
6	Spindle Nut	Brass	BS2874 CA104
7	Body	Ductile Iron	BS2789 420/12
8	Gate	Ductile Iron/EPDM	BS2789 / BS2494
9	Hand Wheel Nut	Brass	BS2874 CA104
10	Bush	Brass	BS2874 CA104
11	Yoke	Ductile Iron	BS2789
12	Cover Gland	Ductile Iron	BS2789
13	O-Ring	EPDM	BS2494
14	Bonnet O-Ring	EPDM	BS2494

- Design conforms to: DIN3352, BS5163, SABS 665
- Flanges conform to SABS1123 T/1600
- Normal pressure: 1.6MPa
Shell test pressure: 2.4MPa
Seal test pressure: 1.76MPa
- Suitable medium: Water and neutral liquid
- Suitable temperature: EPDM < 120°C

DIMENSIONS

DN	L	H	W	C	b	MASS (kg)
50	178	317	180	165	19	18
65	190	354	180	185	19	22
80	203	391	200	200	19	27
100	229	450	250	220	19	37
125	254	549	250	250	19	58
150	267	605	300	285	22	75
200	292	756	350	340	22	102
250	330	896	400	405	25	146
300	356	1031	540	460	28	208
350	381	1169	600	520	30	298
400	406	1297	600	580	30	395
450	432	1300	600	640	36	530
500	457	1445	600	715	36	690
600	508	1235	600	840	40	830