

# D&D Valve & Engineering Supplies (Pty) Ltd

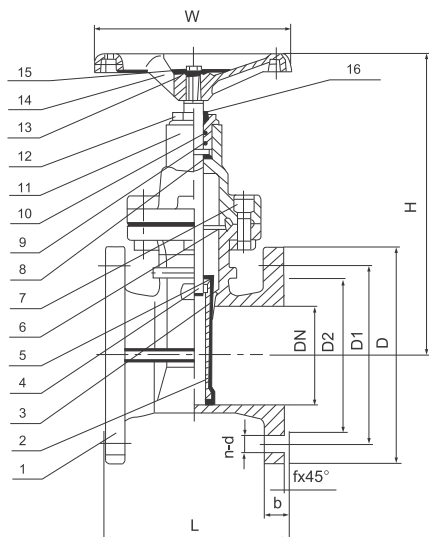
(+2711) 493-1842/3 (8 lines)

sales@ddvalve.co.za

www.ddvalve.co.za

info@ddvalve.co.za

## SABS664 NRS RSV GATE VALVE



### MATERIALS LIST

No.	Part Name	Material	Grade	Standard
1	Body	Ductile Iron	GGG40	BS2798 420/12
2	Wedge	Ductile Iron	GGG40	BS2798 420/12
3	Wedge	Rubber	EPDM/NBR	
4	Stem	Stainless Steel	X20Cr13	BS970 420S37
5	Stem Nut	Brass		BS2874 CA122
6	Gasket	Rubber	EPDM/NBR	
7	Screw	Steel	Ck45	BS970 40E
8*	Gasket	Teflon/Brass		
9	O-Ring	Rubber	EPDM/NBR	
10	Bonnet	Ductile Iron	EPDM/NBR	
11	Gland	Brass	GGG40	BS2789 420/12
12	Washer	Steel		BS2874 CZ122
13	Handwheel*	Ductile Iron	Ck45	
14	Bolt	Steel	GGG40	BS2789 420/12

- Design conforms to: DIN3352, BS5163 S 1.6.1, SABS 664
- Flanges drilled conform to DIN2501/BS4504
- Normal pressure: 1.6MPa  
Shell test pressure: 2.4MPa  
Seal test pressure: 1.76MPa
- Suitable medium: Water and neutral liquid
- Suitable temperature: EPDM < 120°C
- R.H. or L.H. closing

\* handwheel optional

### DIMENSIONS

DN	L	D	D1	D2	b	f	n-d	H	W
50	216	165	125	102	19	3	4-18	270	180
80	229	200	160	138	19	3	8-18	311	220
100	254	220	180	158	19	3	8-18	352	250
150	280	285	240	212	19	3	8-18	485	320
200	317	340	295	268	20	3	12-22	520	350
250	356	405	355	320	22	3	12-26	632	400
300	380	460	410	378	24.5	4	12-26	745	400
350	470	520	470	430	26.5	4	16-28	835	500
400	470	580	525	489	28	4	16-31	853	600
450	485	640	585	640	30	4	20-31	1030	630
500	510	715	650	609	31.5	4	20-34	1100	630
600	600	840	770	720	36	5	20-37	1300	630