

# D&D Valve & Engineering Supplies (Pty) Ltd

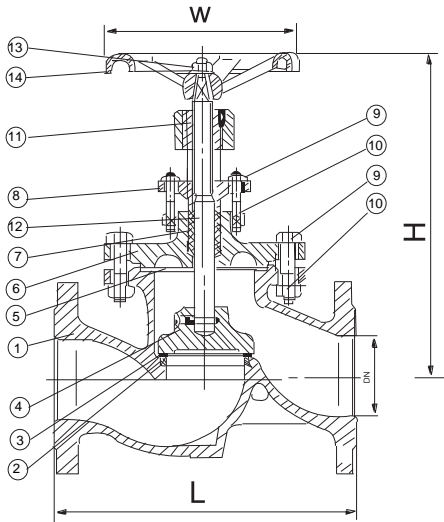
(+2711) 493-1842/3 (8 lines)

sales@ddvalve.co.za

www.ddvalve.co.za

info@ddvalve.co.za

## PN16 CAST IRON GLOBE VALVE



### DESCRIPTION

1. Conforms to DIN 3356
2. Flanged to BS EN1092
3. Face to face dimensions conform to BS EN558-1 series 1
4. Suitable medium: Water, oil, gas, steam
5. Max. pressure / temp. : 16 bar / 120°C

### MATERIALS LIST

No.	PART	MATERIAL
1	Body	Cast iron DIN1691 GG25
2	Seat Ring	SS304
3	Disc Seal Ring	SS304
4	Disc	Cast Iron DIN1691 GG25
5	Bonnet Gasket	Graphite GB3518-83 LC35-999
6	Bonnet	Cast iron DIN1691 GG25
7	Packing	Graphite GB3518-83 LC35-999
8	Gland Follower	Cast iron DIN1691 GG25
9	Nut	Steel DIN17100 RST37-2
10	Bolt	Steel DIN17100 RST37-2
11	Stem Nut	Cast Brass GB1176-87 ZCuZn40Pb2
13	Stem	Stainless steel GB1220-92 2Cr13
14	Handwheel	Cast iron DIN1691 GG25

### DIMENSIONS

DN	L	H	W	Kg
15	130	182	120	3.8
20	150	185	120	3.9
25	160	201	120	5.3
32	180	253	120	8.2
40	200	254	140	9.9
50	230	277	160	12.0
65	290	312	160	17.3
80	310	342	175	24.0
100	350	378	195	40.9
125	400	447	245	53.7
150	480	503	315	73.1
200	600	591	400	150.6