

D&D Valve & Engineering Supplies (Pty) Ltd

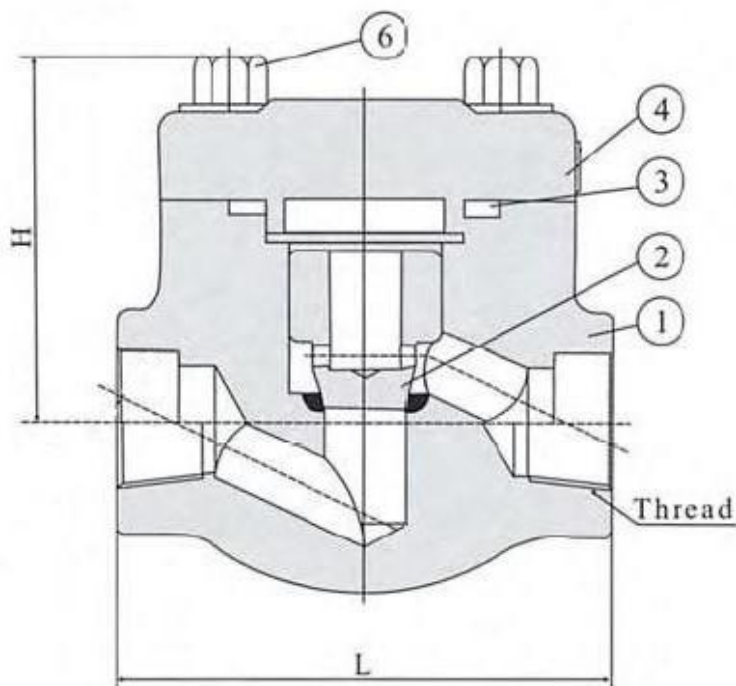
(+2711) 493-1842/3 (8 lines)

sales@ddvalve.co.za

www.ddvalve.co.za

info@ddvalve.co.za

800LB # A105 FCS LIFT CHECK VALVE



Design & manufacture to API 602

BSP Screwed ends

Valve inspection & test to API 598

Shell test pressure (hyd) : 20.5MPa

Seat test pressure (hyd) : 1.5MPa

Reduced bore

SS304 spring

MATERIALS LIST

| | | |
|---|-------------|----------------|
| 1 | Body | A105 |
| 2 | Disc & seat | 13Cr |
| 3 | Gasket | SS304/Graphite |
| 4 | Bonnet | A105 |
| 6 | Bolt | A193 B7 |

DIMENSIONS

| DN | L | H | d |
|----|-----|-----|------|
| 15 | 79 | 61 | 10.5 |
| 20 | 92 | 61 | 13.5 |
| 25 | 111 | 78 | 17.5 |
| 32 | 120 | 86 | 23 |
| 40 | 152 | 103 | 29 |
| 50 | 172 | 118 | 35 |