

# D&D Valve & Engineering Supplies (Pty) Ltd

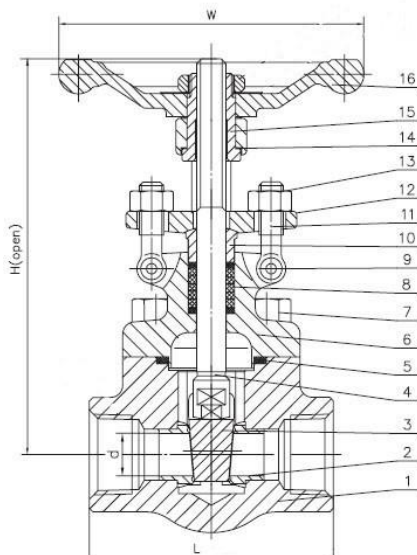
(+2711) 493-1842/3 (8 lines)

sales@ddvalve.co.za

www.ddvalve.co.za

info@ddvalve.co.za

## 800LB # A105 FCS GATE VALVE



Design & manufacture to API 602

BSP Screwed ends

Valve inspection & test to API 598

Shell test pressure (hyd) : 20.5MPa

Seat test pressure (hyd) : 1.76MPa

Seat test pressure (air) : 0.6Mpa

### MATERIALS LIST

1	Body	A105
2	Seat	13Cr
3	Disc	13Cr
4	Stem	13Cr
5	Gasket	SS304/Graphite
6	Bonnet	A105
7	Bonnet Bolt	A193 B7
8	Stem Packing	Graphite
9	Pin	A193 B7
10	Gland	13Cr
11	Eye Bolt	A193 B7
12	Gland Flange	A105
13	Nut	A194 2H
14	Gasket	SS304/Graphite
15	Yoke Nut	13Cr
16	Handwheel	A197

### DIMENSIONS

DN	L	H	W	d
15	79	160	100	10.5
20	92	166	100	13.5
25	111	198	125	17.5
32	120	229	160	23
40	120	253	160	29
50	140	286	180	36