

# D&D Valve & Engineering Supplies (Pty) Ltd

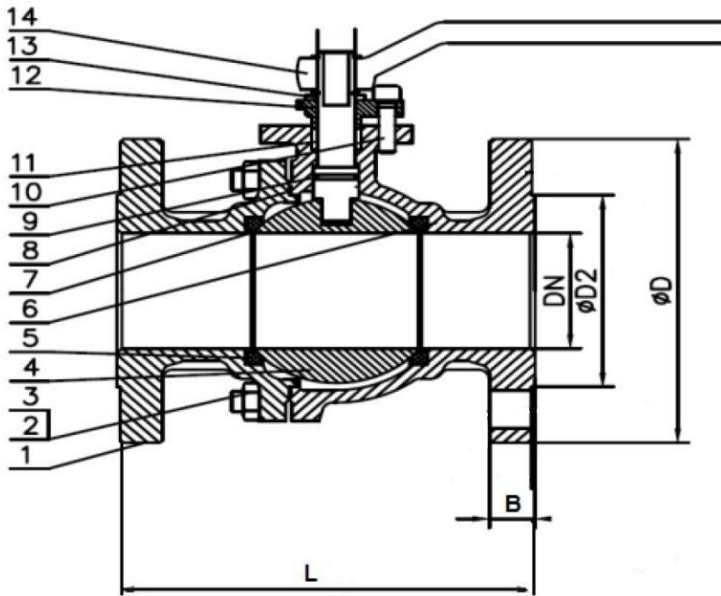
(+2711) 493-1842/3 (8 Lines)

sales@ddvalve.co.za

www.ddvalve.co.za

info@ddvalve.co.za

## CLASS 150 WCB BALL VALVE



### DESCRIPTION

1. Design and manufacture to API 608
2. Face to face dimensions to ASME B16.10
3. Inspection & testing to API 598
4. Fire-safe design
5. Working temperature: -29 / +150°C

### MATERIALS LIST

PART	MATERIAL
Body	ASTM A216 WCB
Ball	SS304
Seat	RTFE
Stem	F6A (150mm F304)
Handle	SS304 (150mm C/S)
Gasket	PTFE
Packing	PTFE
Gland	WCB (150mm SS304)
Stop Plate	SS304
Spring Gasket	SS304
Bolt	SS304
Nut	SS304

### DIMENSIONS

DN	L	D	D2	B
50	178	165	102	18
80	203	200	138	20
100	229	229	155	24
150	394	280	216	24