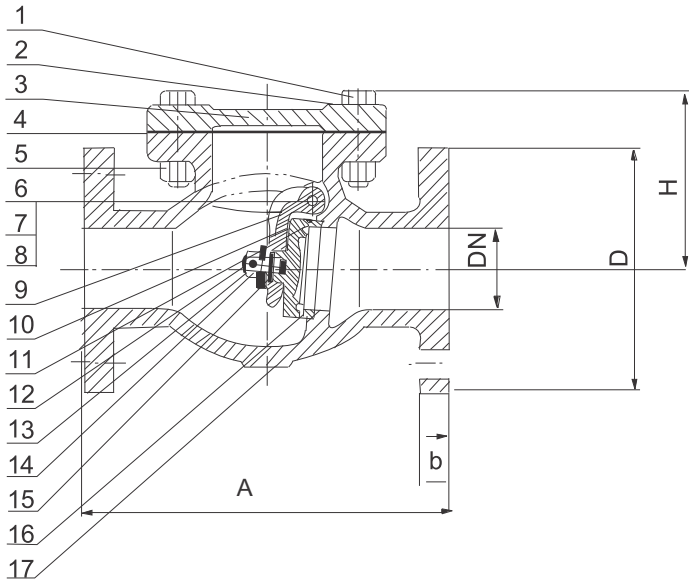


PN16 C.I. SWING CHECK VALVE



MATERIALS LIST

NO.	PART	MATERIAL	STANDARD
1	Bolt	Steel	BS 970 43A
2	Identification Plate	Aluminium	
3	Bonnet	Cast Iron	BS 1452 Gr220
4	Body Gasket	Graphite	
5	Nut	Steel	BS 970 43A
6	Side Plug	Brass	BS 2874 CZ122
7	Gasket	Fiber	
8	Hanger Pin	Brass	BS 2874 CZ122
9	Hanger	Ductile Iron	BS 2789 Gr420-12
10	Disc	Cast Iron	BS 1452 Gr220
11	Disc Ring	Cast Bronze	BS 1400 LG2
12	Washer	Steel	BS 970 43A
13	Split Pin	Stainless Steel	BS 970 420S37
14	Disc Nut	Steel	BS 970 43A
15	Stud Bolt	Steel	BS 970 43A
16	Seat Ring	Cast Bronze	BS 1400 LG2
17	Body	Cast Iron	BS 1400 Gr220

DESCRIPTION

1. Design and manufacture conform to BS5153
2. Flange dimensions conform to BS4504 and PN16
3. Face to face dimensions conform to BS5153 PN16
4. Testing conforms to BS6755

DIMENSIONS

DN	A	D	b	H
50	203	165	20	112.2
65	216	185	20	132.5
80	241	200	22	141.5
100	292	220	24	163
125	330	250	26	197
150	356	285	26	212
200	495	340	30	257
250	622	405	32	298.5
300	698	460	32	330