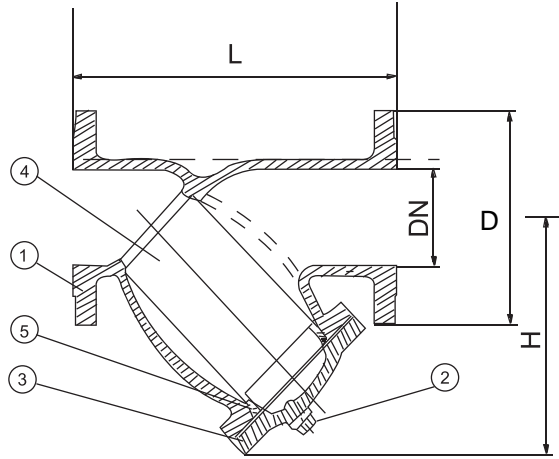


PN16 CAST IRON Y-TYPE STRAINER



DESCRIPTION

1. Face to face dimensions according to DIN 3202 F1 / EN558-1 series 1
2. Flange dimensions according to EN1092
Flange dimensions can be as per BS10 Table D/E, JIS10K, etc.
3. Nominal pressure PN10/PN16
4. Working Temperature: <200°C

MATERIALS LIST

NO.	PART	MATERIAL	STANDARD
1	Body	Cast Iron or Ductile Iron	GG25 or GGG40
2	Plug	Cast Iron or Ductile Iron or Steel	GG25 or GGG40
3	Cover	Cast Iron or Ductile Iron	GG25 or GGG40
4	Screen	Stainless Steel	304SS
5	Gasket	Graphite or Rubber	

DIMENSIONS

DN	L	H	D
50	230	170	165
65	290	205	185
80	310	210	200
100	350	235	220
125	400	270	250
150	480	310	285
200	600	390	340
250	730	430	405
300	850	500	460