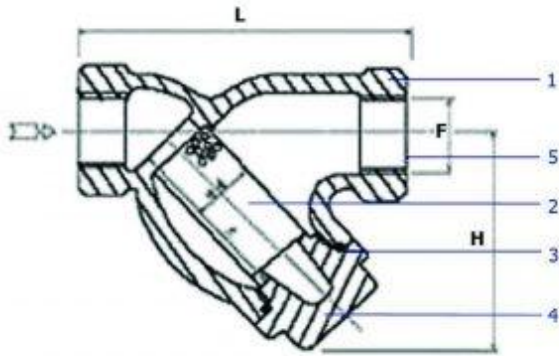


CAST IRON SCREWED STRAINER



MATERIALS LIST

No.	PART	MATERIAL	STANDARD
1	Body	Cast Iron	GG20
2	Screen	Stainless Steel	304SS
3	Gasket	Non-asbestos	
4	Cap	Cast Iron	GG20
5	Thread	BSPT	BS21

DIMENSIONS

DN	L	F	H	SCREEN HOLE SIZE	WEIGHT
15	90	18	60	0.6	0.7
20	100	23	70	0.6	1.1
25	125	30	85	0.6	1.5
32	140	39	100	1.0	2.5
40	140	44	105	1.0	2.9
50	175	56	130	1.0	4.7
65	220	78	160	2.0	7.7
80	240	88	175	2.0	10.8