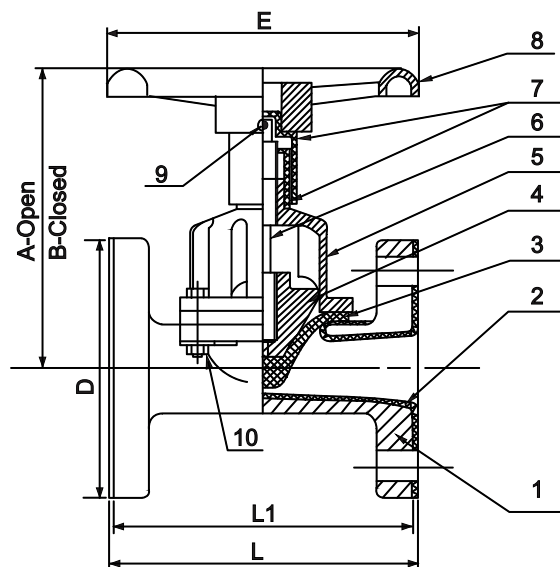


## STRAIGHT-THRU-TYPE C.I. DIAPHRAGM VALVE



### MATERIALS LIST

NO.	PART	MATERIAL	STANDARD	QUANTITY
1	Body	Cast Iron	GG25	1
2	Body Liner	Natural rubber		1
3	Diaphragm	Natural rubber		1
4	Valve Clack	Cast Iron	GG25	1
5	Bonnet	Cast Iron	GG25	1
6	Stem	Stainless Steel	304SS	1
7	Bush	Plastic		2
8	Handwheel	Ductile Iron	GGG40	1
9	Pin	Carbon Steel		1
10	Bolt	Stainless Steel	304SS	4

### DESCRIPTION

1. Design and manufacture conform to BS5156
2. Flange dimensions conform to BS4504 PN10
3. Working Pressure: DN50-DN100 1.0Mpa  
DN125-DN150 0.6Mpa  
DN200-DN300 0.35Mpa

### DIMENSIONS

DN	L	L1	A	B	D	E
50	194	190	185	165	165	160
65	222	216	224	200	185	200
80	258	254	273	240	198	250
100	309	305	321	285	220	315
125	362	356	347	305	250	315
150	412	406	447	385	283	400
200	527	521	-	415	335	500
250	640	635	-	560	400	500
300	755	749	-	640	460	630