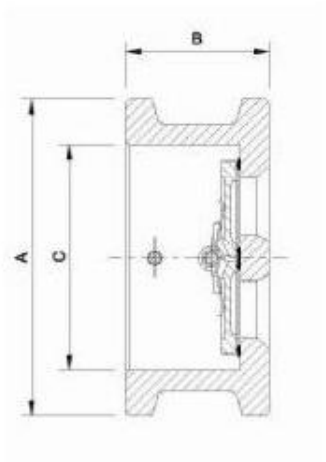


PN16 DOUBLE-DOOR WAFER CHECK VALVE



Pressure Rating	PN16
Seat Test Pressure	1.76Mpa
Body Test Pressure	2.4Mpa
Suitable Temperature (°C)	*NBR: -10 to +80°C
	EPDM: -10 to +120°C
Suitable Medium	Fresh water, sea water, waste water, foodstuffs, oil, weak acid & alkaline liquid etc.

* Optional

MATERIALS LIST

PART	MATERIAL
Body	Cast Iron
Disc	NPDI
	SS304 or 316
Seat Gasket	EPDM or NBR*
Shaft	SS410
Spring	SS410
Washer	PTFE

* Optional

DIMENSIONS

DN (mm)	A	B	C
50	97	43	65
65	110	46	80
80	129	64	94
100	160	64	117
125	192	70	145
150	213	76	170
200	270	89	224
250	328	114	310
300	378	114	310
350	438	127	360
400	489	140	410
450	539	152	450
500	594	152	505
600	695	178	624