

D&D Valve & Engineering Supplies (Pty) Ltd

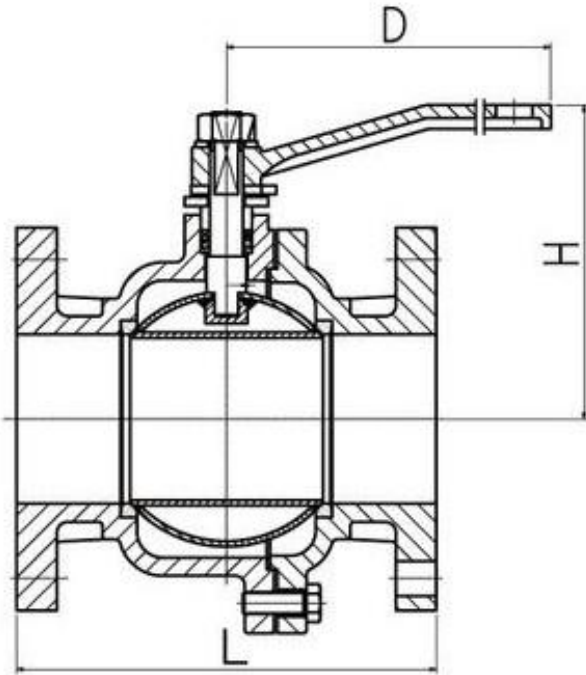
(+2711) 493-1842/3 (8 Lines)

sales@ddvalve.co.za

www.ddvalve.co.za

info@ddvalve.co.za

PN16 CAST IRON BALL VALVE



DESCRIPTION

1. Cast iron full-bore
2. 2 piece split body
3. Lever operated
4. Flanged to BS4504 PN16
5. Working pressure/temperature:
16 bar @ 100°C
12.8 bar @ 200°C

MATERIALS LIST

PART	MATERIAL
Body	Cast Iron
Ball	SS304
Seat	PTFE
Stem	SS410
Handle	Cast Iron
Gasket	PTFE
Packing	PTFE
Gland	Cast Iron
Bolt	SS410
Nut	SS410

DIMENSIONS

DN	L	H	D
50	178	140	230
65	191	155	340
80	203	170	340
100	229	180	340
150	365	260	510
200	457	290	660