

D&D Valve & Engineering Supplies (Pty) Ltd.

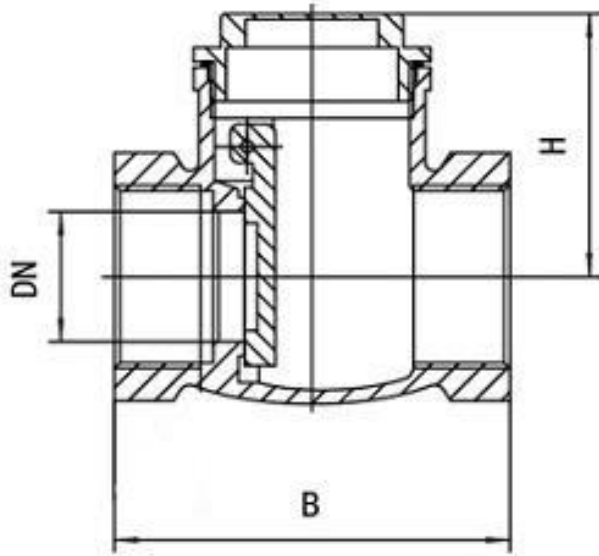
(+2711) 493-1842/3 (8 lines)

sales@ddvalve.co.za

www.ddvalve.co.za

info@ddvalve.co.za

BRASS SWING CHECK VALVE



Pressure: Up to 12.5 bar

Temperature: 0 - 120°C

MATERIALS LIST

Brass body, cap & disc

NBR seat

DIMENSIONS

NB	DN	B	H
15mm	13	46	33
20mm	17	56	35
25mm	23	62	43
32mm	27	72	48
40mm	31	82	62
50mm	41	97	65
65mm	57	121	76
80mm	68	136	82
100mm	91	163	101