

D&D Valve & Engineering Supplies (Pty) Ltd.

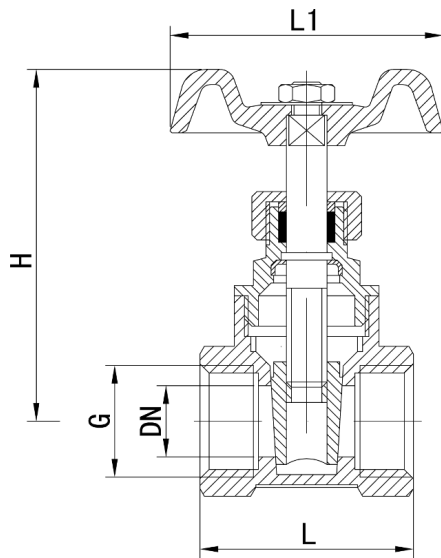
(+2711) 493-1842/3 (8 lines)

sales@ddvalve.co.za

www.ddvalve.co.za

info@ddvalve.co.za

BRASS GATE VALVE



Pressure: Up to 14 bar

Temperature: -20 / +100°C

MATERIALS LIST

NO.	PART	MATERIAL
1	Bonnet	Brass
2	Wedge	Brass
3	Gland Nut	Brass
4	Stem	Brass
5	Stem Packaging	PTFE
6	Handwheel	Cast iron

DIMENSIONS

G	DN	L	L1	H
15mm	13.5	41	53	66
20mm	17	43	53	72
25mm	23	45	60	90
32mm	31	50	73	110
40mm	38.5	55	73	120
50mm	44	61	85	135
65mm	60	62	100	165
80mm	70	73	108	190
100mm	89	78	142	220