

D&D Valve & Engineering Supplies (Pty) Ltd

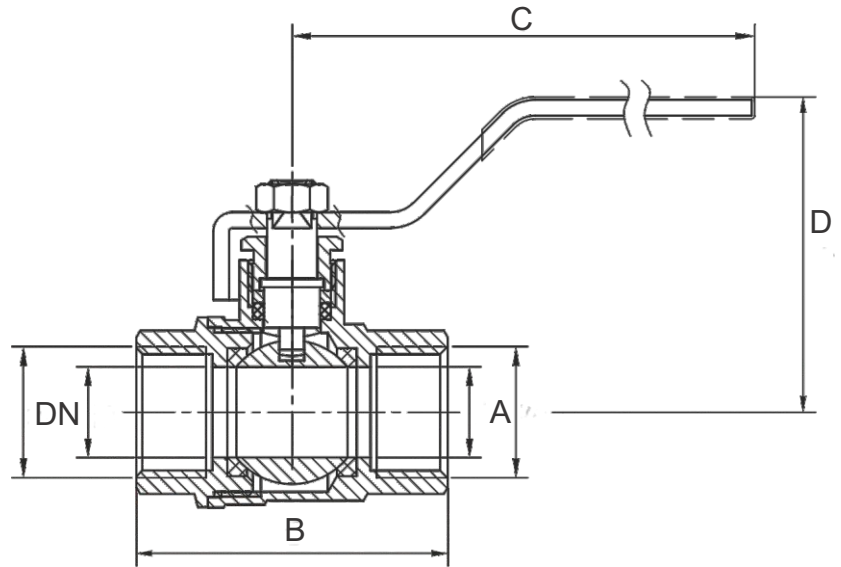
(+2711) 493-1842/3 (8 lines)

sales@ddvalve.co.za

www.ddvalve.co.za

info@ddvalve.co.za

BRASS BALL VALVE



Screwed body cap, PTFE seats, Blowout-proof stem
 Screwed ends to BS21
 Nickel plated body
 Chrome plated ball
 25 bar rated
 120°C max.

MATERIALS LIST

NO.	PART	MATERIAL
1	Body	Brass
2	Body Cap	Brass
3	Stem	Brass
4	Ball	Brass (Chrome plated)
5	Seat	PTFE
6	O-Ring	PTFE
7	Handle	Steel (PVC sleeve)

DIMENSIONS

A (NB)	DN	B	C	D
8	8	42	73	43
10	9	46	73	46
15	15	52	84	46
20	18	60	84	50
25	22	69	105	58
32	30	78	125	68
40	37	88	150	78
50	47	103	150	85
65	58	125	223	115
80	73	149	223	117
100	85	160	223	130