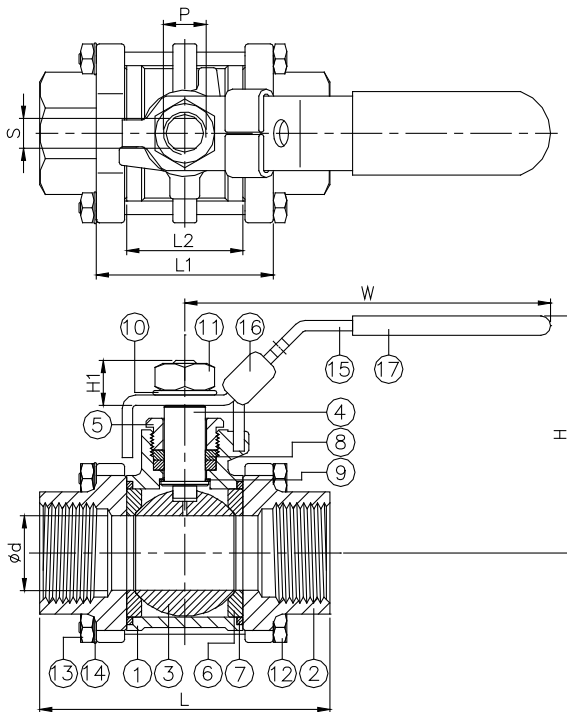


# 3-PC. SCREWED END BALL VALVE



## FEATURES

- Full port, 1/4"~4" (DN8~DN100)
  - W.P. : 1000 WOG (PN63)
  - W.T. : -20°C~150°C
  - Investment casting
  - Blow-out proof stem
  - Anti-static device (option)
  - Locking device
- Thread type : DIN2999 & BS21 (BSP)  
ISO7/1 & EN10226



ITEM	PARTS	MATERIAL
1	BODY	ASTM A351-CF8M
2	CAP	
3	BALL	ASTM A351-CF8M
4	STEM	ASTM A276-316
5	GLAND NUT	AISI 304
6	SEAT	PTFE
7	SEAL	PTFE
8	PACKING	
9	THRUST WASHER	AISI 304
10	SPRING WASHER	
11	STEM NUT	
12	BOLT	
13	NUT	AISI 304
14	SPRING WASHER	
15	HANDLE	STAINLESS STEEL
16	LOCKING DEVICE	
17	HANDLE SLEEVE	PVC

DN	d	L	L1	L2	H	H1	W	S	P	Torque (N-M)	Weight (kg)
15	13	70	44	29	60	9	99	5	M8x1.25	5	0.5
20	19	79	51	35	67	13	111	6	M10x1.5	8	0.7
25	25	87	57	39	74	12	122	6	M10x1.5	10	1.1
32	32	102	63	44	81	12	125	8	M10x1.5	14	1.7
40	38	110	73	54	90	17	160	9	M14x2.0	19	2.4
50	50	132	92	72	99	17	163	9	M14x2.0	23	3.6
65	63	167	111	90	120	23	235	12	M20x2.5	31	8.9
80	76	185	130	114	130	23	280	12	M20x2.5	50	14.3
100	95	220	156	121	154	31	308	16	M24x3.0	60	23.4

unit:mm

# D&D Valve & Engineering Supplies (Pty) Ltd

(+2711) 493-1842/3 (8 lines)

[sales@ddvalve.co.za](mailto:sales@ddvalve.co.za)

[www.ddvalve.co.za](http://www.ddvalve.co.za)

[info@ddvalve.co.za](mailto:info@ddvalve.co.za)