

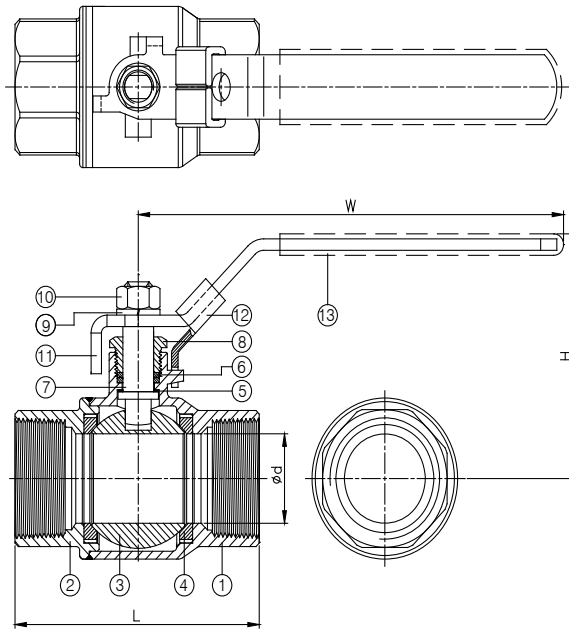
2-PC. SCREWED END BALL VALVE



FEATURES

- Full port, 1/2"~2" (DN15~DN50)
- W.P. : 1000 WOG (PN63)
- W.T. : -20°C~150°C
- Investment casting
- Blow-out proof stem
- Locking device

- Thread type : DIN2999 & BS21 (BSP)
ISO7/1 & EN10226



ITEM	PARTS	MATERIAL
1	BODY	ASTM A351-CF8M
2	CAP	
3	BALL	
4	SEAT	PTFE
5	THRUST WASHER	PTFE
6	PACKING	
7	STEM	ASTM A276-316
8	GLAND RING	AISI 304
9	SPRING WASHER	
10	STEM NUT	
11	HANDLE	STAINLESS STEEL
12	LOCKING DEVICE	
13	HANDLE SLEEVE	PVC

DN	d	L	H	W			Torque (N-M)	Weight (kg)
15	15	55	57	102			4.5	0.2
20	20	66	65	110			9	0.4
25	25	73.5	71	122			12	0.6
32	32	88.5	74	150			18.5	0.9
40	38	93.5	92	160			27	1.1
50	50	107.5	98	160			35	1.5

unit:mm

D&D Valve & Engineering Supplies (Pty) Ltd

(+2711) 493-1842/3 (8 lines)

sales@ddvalve.co.za

www.ddvalve.co.za

info@ddvalve.co.za