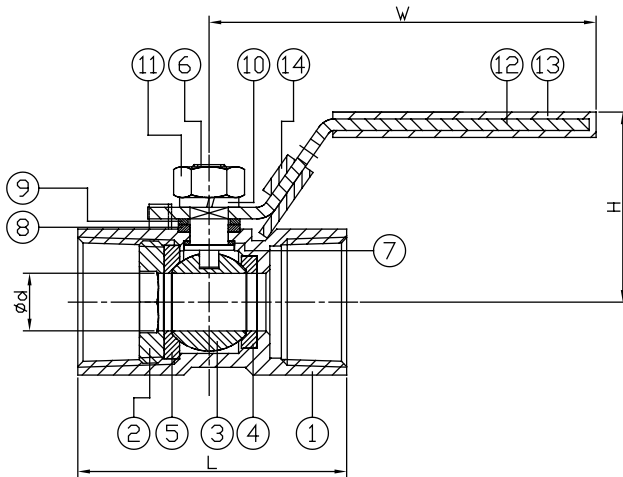


1-PC. SCREWED END BALL VALVE



FEATURES

- Reduced port, 1/4"~2" (DN8~DN50)
 - W.P. : 1000 WOG (PN63)
 - W.T. : -20°C~150°C
 - Investment casting
 - Blow-out proof stem
 - Anti-static device (option)
 - Locking device
- Thread type : DIN2999 & BS21 (BSP)
ISO/1 & EN10226



ITEM	PARTS	MATERIAL
1	BODY	ASTM A351-CF8M
2	RETAINER	
3	BALL	
4	SEAT A	PTFE
5	SEAT B	
6	STEM	AISI 316
7	THRUST WASHER	PTFE
8	PACKING	
9	GLAND RING	AISI 304
10	SPRING WASHER	
11	STEM NUT	
12	HANDLE	STAINLESS STEEL
13	HANDLE SLEEVE	PVC
14	LOCKING DEVICE	STAINLESS STEEL

DN	d	L	H	W	Torque (N-M)	Weight (kg)
8	5	40	33	78	3.9	0.06
10	7	45	35	78	3.9	0.09
15	9.2	56	40	88	5.2	0.14
20	12.5	59	42	90	5.2	0.19
25	15	69	52	116	7.8	0.29
32	20	76.5	56	116	13	0.53
40	25	82	64	139	16.9	0.74
50	32	101.5	68	139	24.7	1.19

unit:mm

D&D Valve & Engineering Supplies (Pty) Ltd

(+2711) 493-1842/3 (8 lines)

sales@ddvalve.co.za

www.ddvalve.co.za

info@ddvalve.co.za