

# D&D Valve & Engineering Supplies (Pty) Ltd

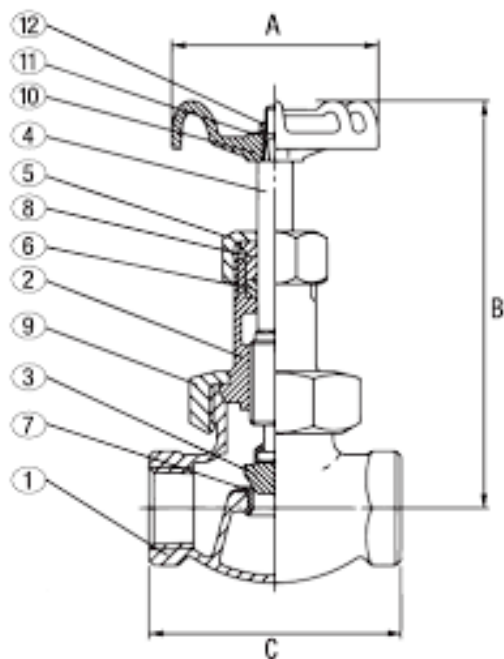
(+2711) 493-1842/3 (8 lines)

sales@ddvalve.co.za

www.ddvalve.co.za

info@ddvalve.co.za

## PN32 BRONZE SCREWED GLOBE VALVE



1. Suitable for 14 bar steam @ 200°C
2. Union bonnet
3. Renewable SS trim (with backseat)
4. Screwed BSP female, parallel threads

### MATERIALS LIST

1	Body	Bronze
2	Bonnet	Bronze
3	Disc	SS410
4	Stem	SS410
5	Gland Nut	Bronze
6	Gland Packing	Graphited Asb.
7	Seat	SS410
8	Gland	Bronze
9	Union Nut	Bronze
10	Handwheel	Aluminium
11	Name Plate	Aluminium
12	Nut	Mild Steel

### DIMENSIONS

DN	A	B	C
8	178	317	180
15	190	354	180
20	203	391	200
25	229	450	250
32	254	549	250
40	267	605	300
50	292	756	350